

EG ergo solution



Ergo a life, not just ergo a living

Company Profile

Background to the Company's Establishment

Today, IT products have become vital to human existence, with desktop and laptop PCs and LCD monitors occupying a particularly important place in people's daily lives. As these products have come into more and more widespread use, the risk of occupational injury has risen too. Extended periods of computer keyboard and mouse use can lead to wrist and elbow injuries; failure to adjust screen height, distance from the user and viewing angle can lead to stiffness in the neck and spine, back pain, and even spinal deformation, and can also have a negative impact on users' eyesight. Eastern Global Corporation was founded in early 2006 with the vision of providing PC peripheral products that would help to reduce or eliminate the risk of computer-related health problems.

A typical office worker spends eight hours a day or more in the office. A key element in our corporate mission is finding ways to enable office workers to enjoy a comfortable office environment, which at the same time will also help to improve their working efficiency. Our products can help you to re-organize and make more effective use of the desk space available to you in the office.

Protecting the environment is also an important part of our mission. All of our products are made using environmentally-friendly materials that conform to the European Union's RoHS environmental directive. Our production facility is Business Social Compliance Initiative (BSCI) compliant; we have done our utmost to fulfill our responsibilities as a good corporate citizen that seeks to make a meaningful contribution towards protecting the planet.

Patents and Awards

Eastern Global Corporation attaches great importance of innovation and R&D, and has been awarded patents in Europe, the U.S., Japan and China. As part of our efforts to enhance product value-added, we participate actively in international design competitions, and in 2008 were the recipients of Germany's IF (International Forum Design) Product Design Award. In addition, several of our products have been awarded the Certificate of Good Design Product (GD) Mark from the Taiwan Design Center.

Vision

To become the most outstanding R&D and manufacturing services provider in the ergonomics industry.

Working together with our partner companies and our customers to build a competitive, industry-leading team.

Corporate Core Values

Innovation
Environmental Protection
Quality
Health
Sustainable Development





Modern Office Environment

Light Duty

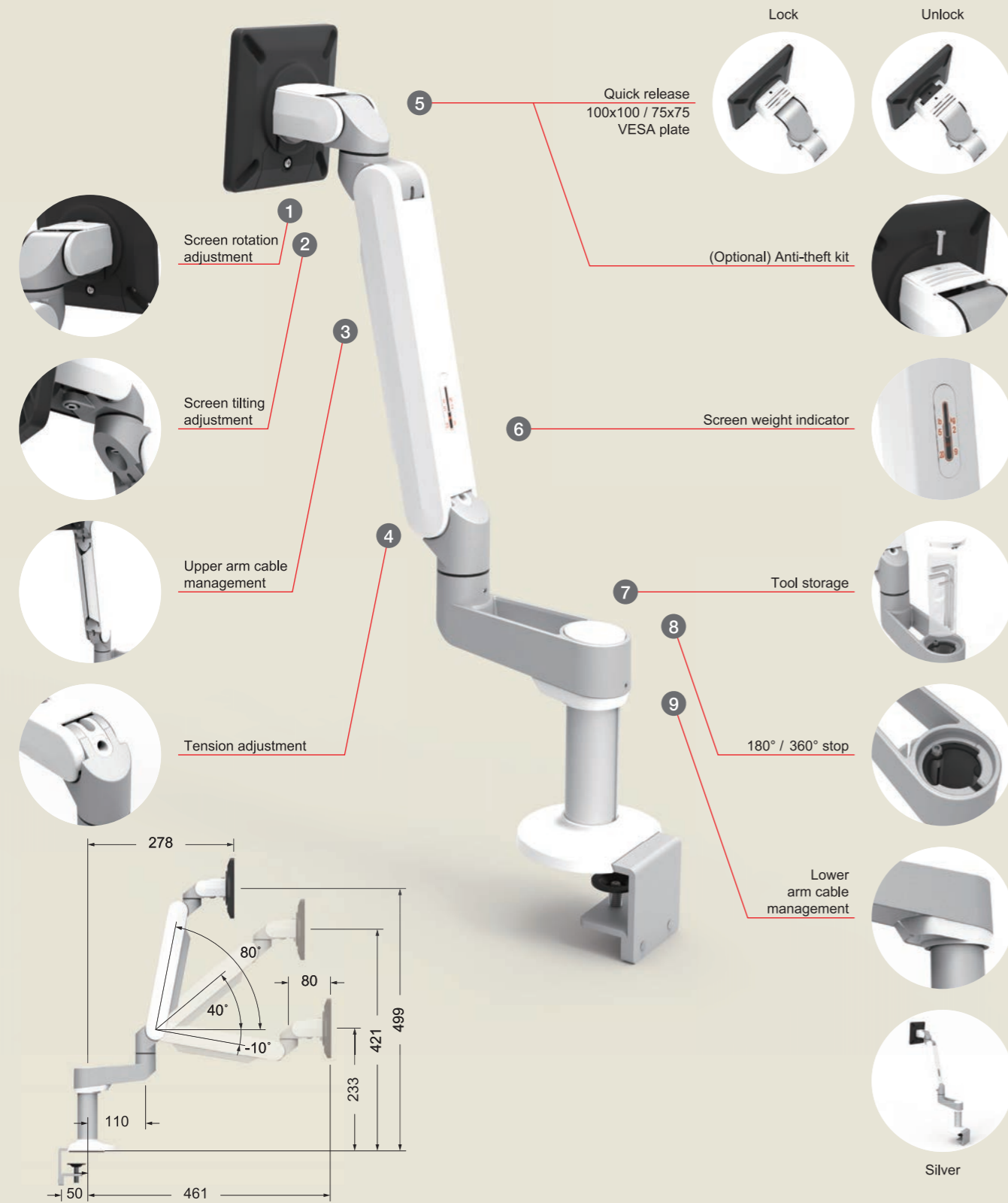
Meerkat

LCD Monitor Arm

Meerkat is a great way to improve your workspace setup. A central pole with extension arm offers flexible adjustment to swivel your screen around. Simple and classical design forms a visual appealing outlook. Meerkat combines with budget-friendly price and functional features. It can hold between 2 to 9kgs and works with monitors up to a massive 34 inches, and a quick release function is designed to make screens' installation and removal easy and productive.

Meerkat (EGNS)

LCD Monitor Arm (Light Duty)



LCD/TV size	Loading Range	Pan	Rotation	Tilt	Swivel	VESA	Quick Release	Lock (Anti-theft kit)
≤34"	2-9 kgs (5-20 lbs)	180° 360°	360°	+90° -40°	+80° -10°	75x75mm 100x100mm	Yes	Optional



Universal Laptop Holder
EGDF-A05
W290~450xD372xH77mm



● EGNS-202-S
● EGNS-302-S
W115xD461xH233~499mm

• Post height: 300mm



● EGNS-202D-S
● EGNS-302D-S
W396xD135xH169~663mm
Max screen size: W720xH440 mm (※32" monitor)



Workspace Inspiration

Light Duty

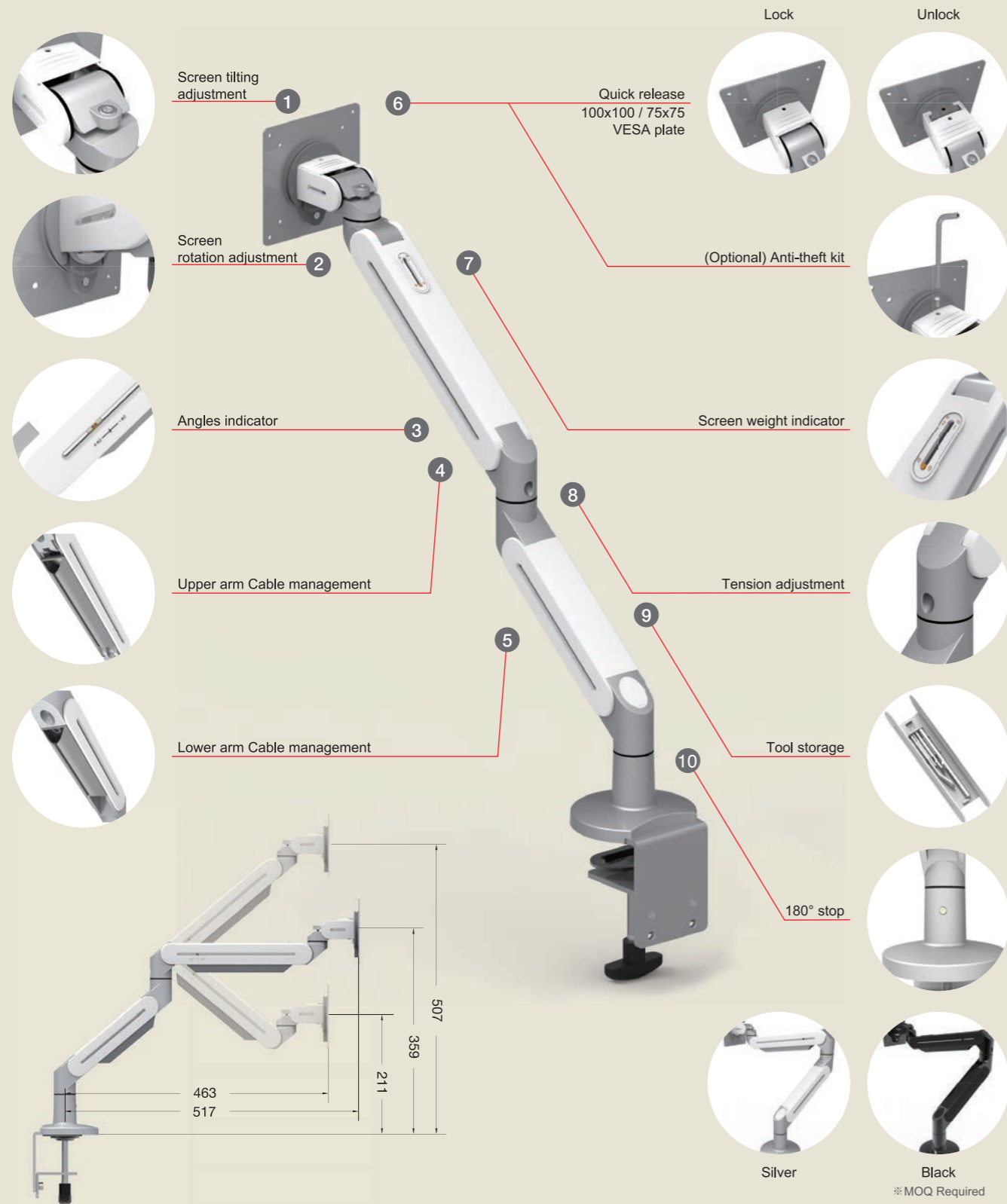
Dragonfly & Firefly

LCD Monitor Arm

Dragonfly and Firefly are committed to creating ergonomic designs that are straightforward, organic, and cost-effective. A flexible, bespoke VESA plate can be linked to an optional anti-theft quick-release system. The sleek white body reflects both sophistication and aesthetic appeal. One-of-a-kind to these designs, the upper arm possesses an angle display as well as a weight indicator. Both models can accommodate monitors weighing between 1.5kg (3.3lbs) and 8kg (17.6lbs), aligning seamlessly with standard monitor specifications. The lower monitor's angle can be easily adjusted by hand with a 360° rotation, which is complemented by the astute inclusion of tool storage. These features, combined with their versatile and refined nature, cater to a wide range of potential requirements.

Dragonfly (EGNA)

LCD Monitor Arm (Light Duty)



LCD/TV size	Loading Range	Pan	Rotation	Tilt	Swivel	VESA	Quick Release	Lock (Anti-theft kit)
≤34"	1.5~8 kgs (3.3~17.6 lbs)	180°	360°	+90° -40°	±40°	75x75mm 100x100mm	Yes	Optional



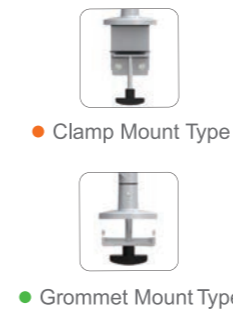
Universal Laptop Holder
EGDF-A05
W290~450xD372xH77mm



Wall Mount Type
EGNA-102-S
W115xD538xH109~405mm



Slat Wall Mount Type
EGNA-402-S
W115xD560xH103~399mm



● Clamp Mount Type
● Grommet Mount Type



● EGNA-202-S
● EGNA-302-S
W118xD517xH211~507mm

• Post height: 200mm



● EGNA-202DK-S
● EGNA-302DK-S
W859xD129xH252~548mm
Max screen size:W838xH445 (*One tool kit)

• Post height: 450mm



● EGNA-202D-S
● EGNA-302D-S
W959xD119xH93~526mm
Max screen size:W938xH498mm

• Post height: 700mm



● EGNA-203T-S
● EGNA-303T-S
W1355xD175xH153~841mm
Max screen size:W657xH369mm



● Clamp Mount Type (Heavy Duty)
● Grommet Mount Type



● EGNA-7024C-S
● EGNA-7024G-S
W959xD114xH93~1033mm
Max screen size:W938xH498mm



● EGNA-7036C-S
● EGNA-7036G-S
W1355xD175xH153~1093mm
Max screen size:W657xH369mm

Firefly (EGNU)

LCD Monitor Arm (Light Duty)

1 Screen tilting adjustment

2 Screen rotation adjustment

3 Tension adjustment

4 Upper arm Cable management

5 Lower arm Cable management

6 Quick release 100x100 / 75x75 VESA plate

7 (Optional) Anti-theft kit

8 Screen weight indicator

9 180° stop

Lock

Unlock

Tool storage

Dimensions: 507, 359, 211, 463, 517

Silver ※ MOQ Required

Black ※ MOQ Required

LCD/TV size	Loading Range	Pan	Rotation	Tilt	Swivel	VESA	Quick Release	Lock (Anti-theft kit)
≤34"	1.5~8 kgs (3.3~17.6 lbs)	180°	360°	+90° -40°	±40°	75x75mm 100x100mm	Yes	Optional



Universal Laptop Holder
EGDF-A05
W290~450xD372xH77mm



Wall Mount Type
EGNU-102-S
W115xD538xH109~405mm



Slat Wall Mount Type
EGNU-402-S
W115xD560xH103~399mm

- Clamp Mount Type
- Grommet Mount Type



● EGNU-202-S
● EGNU-302-S
W118xD517xH211~507mm

• Post height: 200mm



● EGNU-202DK-S
● EGNU-302DK-S
W859xD129xH252~548mm
Max screen size:W838xH445 (※One tool kit)

• Post height: 450mm



● EGNU-202D-S
● EGNU-302D-S
W959xD119xH93~526mm
Max screen size:W938xH498mm

• Post height: 700mm

- Clamp Mount Type
- Clamp Mount Type (Heavy Duty)
- Grommet Mount Type



● EGNU-203T-S
● EGNU-303T-S
W1355xD175xH153~841mm
Max screen size:W657xH369mm



● EGNU-7024C-S
● EGNU-7024G-S
W959xD114xH93~1033mm
Max screen size:W938xH498mm



● EGNU-7036C-S
● EGNU-7036G-S
W1355xD175xH153~1093mm
Max screen size:W657xH369mm



Heavy-Duty Performance

Heavy Duty

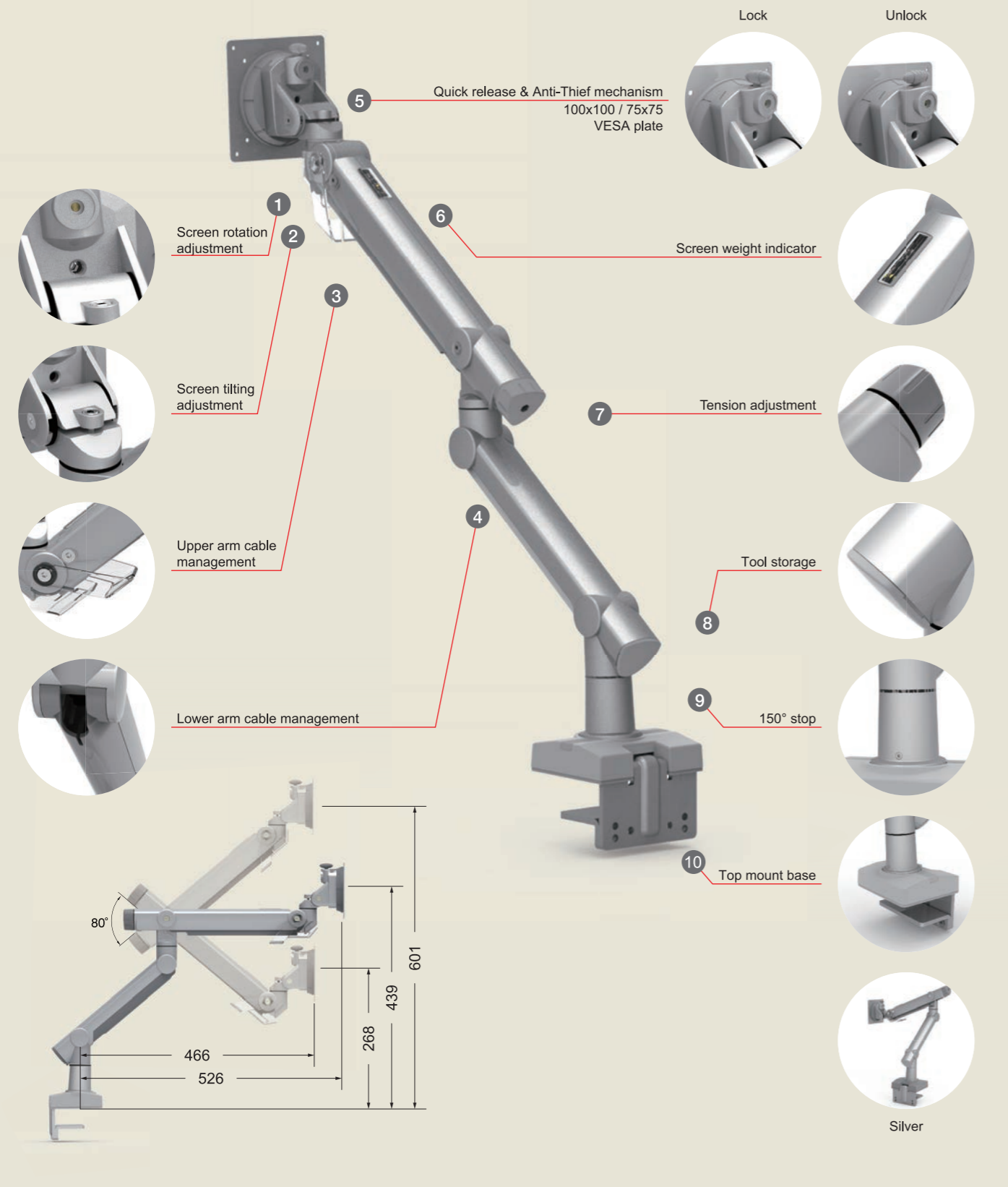
Dynafly⁺

LCD Monitor Arm

The Dynafly⁺ monitor arm offers a blend of practicality and visual appeal that delivers exceptional ergonomic benefits to contemporary offices. This revolutionary solution provides a comprehensive range of adjustability, enabling users to easily modify the height, focal length, and tilt angle of their monitor. The intelligent compressible spring mechanism, paired with a tension controller, accommodates screen weights ranging from 2 to 20 kilograms (4.4 to 44lbs), establishing new benchmarks in the industry. Dynafly⁺ introduces a degree of flexibility that encourages a healthier, safer, more convenient, and ultimately more comfortable work environment by facilitating easy screen adjustments.

Dynaflly⁺ (EGDP)

LCD Monitor Arm (Heavy Duty)

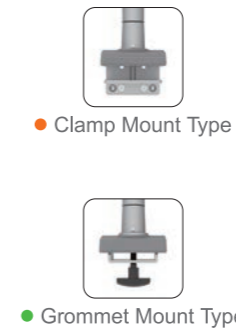


LCD/TV size	Loading Range	Pan	Rotation	Tilt	Swivel	VESA	Quick Release	Lock (Anti-theft kit)
≤49"	2~20 kgs (4.4~44 lbs)	150°	360°	+90° -40°	±40°	75x75mm 100x100mm	Yes	Optional

※Upto 1800R curved monitor.



● EGDP-202
● EGDP-302
W152xD522xH245~581mm
Suitable for curved screen



● EGDP-202D
● EGDP-302D
W1049xD114xH74~475mm
Max screen size:W934xH317mm



Universal Laptop Holder
EGDF-A05
W290~450xD372xH77mm



● EGDP-202DB
● EGDP-302DB
W670xD624xH284~618mm
Max screen size:W650xH365mm
Max screen weight: 6kgs



Wall Mount Type
EGDF-102
W115xD450xH100~448mm



Slat Wall Mount Type
EGDF-402
W115xD473xH83~430mm



Ergonomic Solution = Working Painlessly



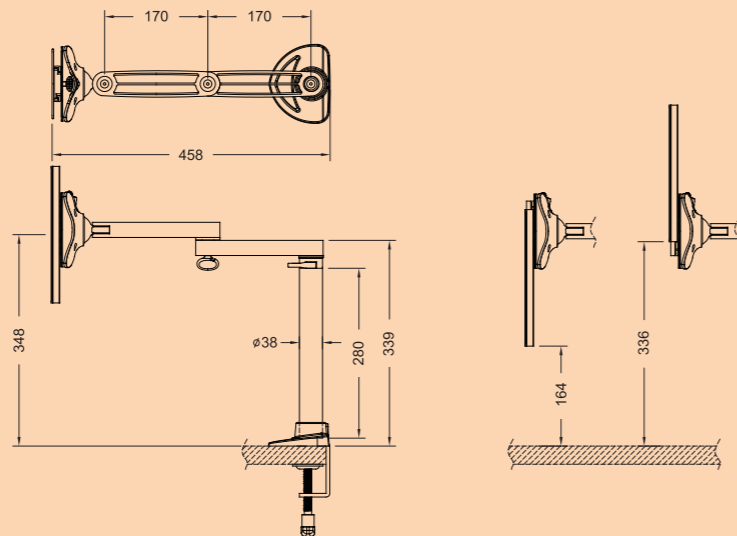
Easyfly (EGL3)

LCD Monitor Arm

The main aim of the LCD monitor arm is to establish an environment that fosters optimum comfort and well-being in both home and work situations. Our design philosophy is marked by meticulous attention to detail and precision. This monitor arm analyses a variety of approaches to reduce work-related repetitive strain injuries, prevent the prolonged use of incorrect postures and positions, and increase the overall comfort and productivity of those who use it.



Universal Laptop Holder
EGDF-A05
W290~450xD372xH77mm



LCD/TV size	Loading Range	Pan	Rotation	Tilt	VESA	Quick Release	Lock (Anti-theft kit)	Front end height adjuster
≤27"	12 kgs (26.4 lbs)	180°	360°	±30°	75x75mm 100x100mm	Yes	Optional	15cm

※Not suitable for curved monitor.

Easyfly Series

- EGL3-200-S ● EGL3-300-S
W124xD119xH251~423mm
- EGL3-201-S ● EGL3-301-S
W124xD289xH251~423mm
- EGL3-202-S ● EGL3-302-S
W124xD459xH281~453mm
- EGL3-201D-S ● EGL3-301D-S
W391xD119xH241~413mm
Max screen size:W376xH301mm
- EGL3-202D-S ● EGL3-302D-S
W730xD119xH271~443mm
Max screen size:W711xH416mm

● Clamp Mount Type
● Grommet Mount Type



Multi-monitors Solution

Butterfly (EGL) LCD Monitor Arm

The product range offers versatile functionality for use with multiple monitors, paired with a dedication to ergonomic visual comfort and careful cable organization. Created with workplace efficiency in mind, it is particularly ideal for settings such as trading rooms, command centers and security environments.



LCD Monitor Arm

Post height: 450mm

● Clamp Mount Type	● EGL-200-1 W124xD147xH461mm	● EGL-300-1 W124xD317xH461mm	● EGL-201-1 W124xD317xH461mm	● EGL-301-1 W124xD487xH461mm	● EGL-202-1 W124xD487xH461mm	● EGL-302-1 W124xD487xH461mm
● Grommet Mount Type	● EGL-201D-1 W437xD159xH461mm Max screen size:W416xH333mm	● EGL-301D-1 W777xD169xH461mm Max screen size:W756xH436mm	● EGL-202D-1 W777xD169xH461mm Max screen size:W756xH436mm	● EGL-302D-1 W1116xD169xH461mm Max screen size:W528xH304mm	● EGL-203T-1 W1116xD169xH461mm Max screen size:W528xH304mm	● EGL-303T-1 W1116xD169xH461mm Max screen size:W528xH304mm

Post height: 800mm

● Clamp Mount Type	● EGL-8024-1 W777xD169xH806mm Max screen size:W756xH436mm	● EGL-8024G-1 W777xD169xH806mm Max screen size:W756xH436mm	● EGL-8036-1 W1116xD169xH806mm Max screen size:W528xH304mm	● EGL-8036G-1 W1116xD169xH806mm Max screen size:W528xH304mm	● Universal Laptop Holder EGDF-A05 W290~450xD372xH77mm
● Grommet Mount Type					

Wall Mount

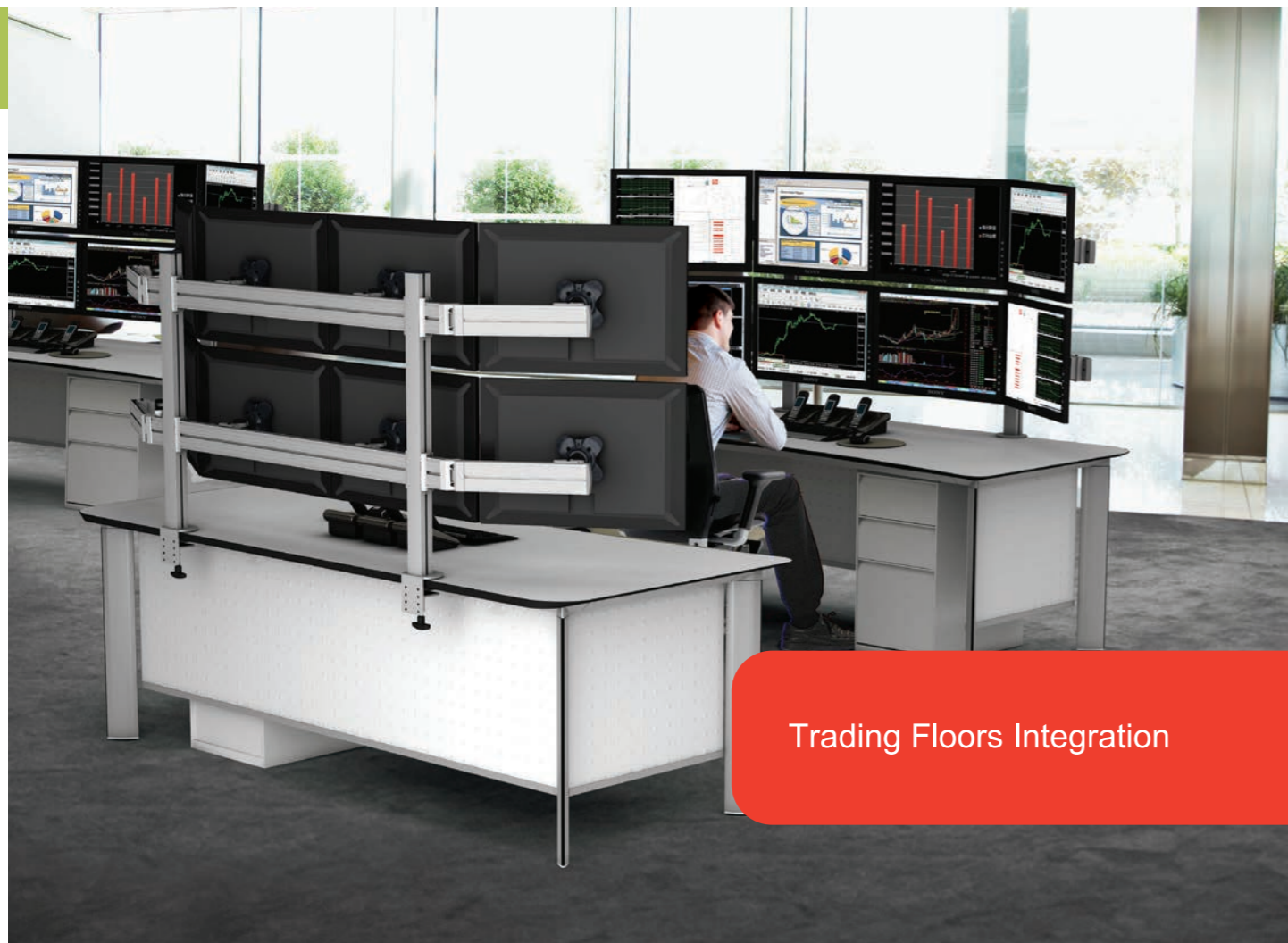
EGL-100 W124xD116xH163mm	EGL-101 W124xD286xH164mm	EGL-102 W124xD456xH194mm

Slat Wall Mount

EGL-400 W124xD116xH163mm	EGL-401 W124xD286xH164mm	EGL-402 W124xD456xH194mm	EGL-402D W730xD138xH456~194mm Max screen size:W711xH416mm

LCD/TV size	Loading Range	Pan	Rotation	Tilt	VESA	Quick Release	Lock (Anti-theft kit)
≤27"	12 kgs (26.4 lbs)	180°	360°	±30°	75x75mm 100x100mm	Yes	Optional

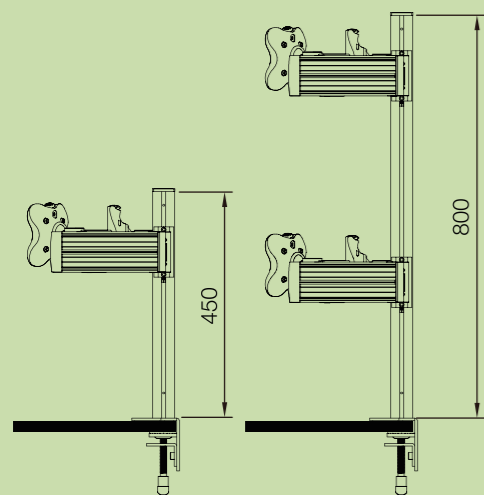
※Not suitable for curved monitor.



Trading Floors Integration

Tool Bar System (EGTB)

The Toolbar and Rail System is expertly designed to maximize workspace in multi-screen environments such as financial trading rooms, call centers, and control centers. This system supports displays ranging from 3 to 8 monitors (up to 24 inches), allowing for simple monitor adjustments. This feature makes it particularly beneficial for dynamic work settings where workstations are shared by different teams during varying shifts.



The "Trimmer"
- allow 24mm (1") travel distance to fine adjust monitors in same height



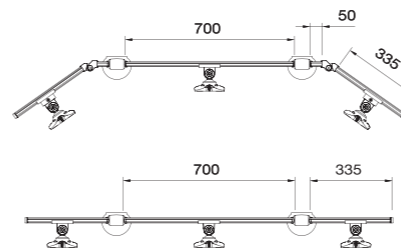
Post height adjustment



Cable clip

Single Deck / Three Monitors Application

Post height: 450mm Rail size: 700 & 335mm



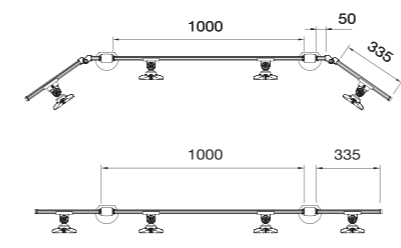
(Swivel Arm)
● EGTB-4513W-1 ● EGTB-4513WG-1



(Fixed Arm)
● EGTB-4513-1 ● EGTB-4513G-1

Single Deck / Four Monitors Application

Post height: 450mm Rail size: 1000 & 335mm



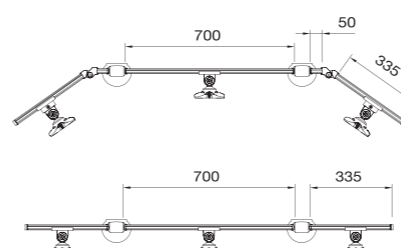
(Swivel Arm)
● EGTB-4514W-1 ● EGTB-4514WG-1



(Fixed Arm)
● EGTB-4514-1 ● EGTB-4514G-1

Double Decks / Six Monitors Application

Post height: 800mm Rail size: 700 & 335mm



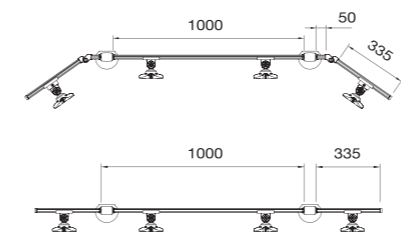
(Swivel Arm)
● EGTB-8026W-1 ● EGTB-8026WG-1



(Fixed Arm)
● EGTB-8026-1 ● EGTB-8026G-1

Double Decks / Eight Monitors Application

Post height: 800mm Rail size: 1000 & 335mm



(Swivel Arm)
● EGTB-8028W-1 ● EGTB-8028WG-1



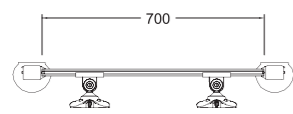
(Fixed Arm)
● EGTB-8028-1 ● EGTB-8028G-1



Workspace Efficiency

Tool Bar Back to Back (EGTB)

Single Deck / Two Monitors Application

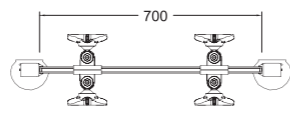


Post height: 450mm
Rail size: 700mm

- EGTB-4512-1
- EGTB-4512G-1



Single Deck / Four Monitors Application

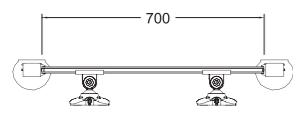


Post height: 450mm
Rail size: 700mm

- EGTB-4512D-1
- EGTB-4512DG-1



Double Decks / Four Monitors Application

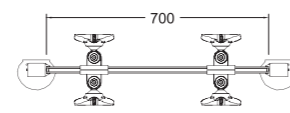


Post height: 800mm
Rail size: 700mm

- EGTB-8024-1
- EGTB-8024G-1



Double Decks / Eight Monitors Application

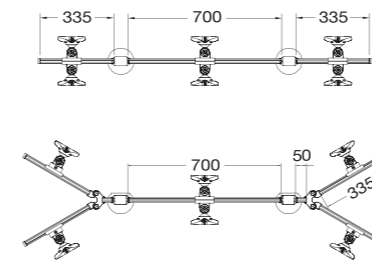


Post height: 800mm
Rail size: 700mm

- EGTB-8024D-1
- EGTB-8024DG-1



Single Deck / Six Monitors Application



Post height: 450mm
Rail size: 700 & 335mm

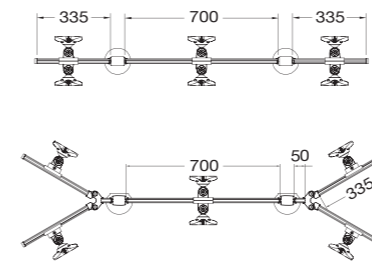
- EGTB-4513D-1
- EGTB-4513DG-1



Post height: 450mm
Rail size: 700 & 335mm

- EGTB-4513DW-1
- EGTB-4513DWG-1

Double Decks / Twelve Monitors Application



Post height: 800mm
Rail size: 700 & 335mm

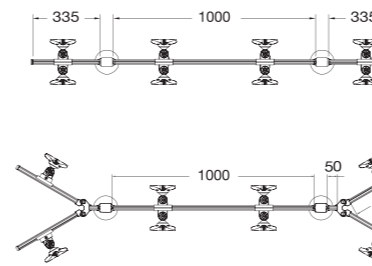
- EGTB-8026D-1
- EGTB-8026DG-1



Post height: 800mm
Rail size: 700 & 335mm

- EGTB-8026DW-1
- EGTB-8026DWG-1

Single Deck / Eight Monitors Application



Post height: 450mm
Rail size: 1000 & 335mm

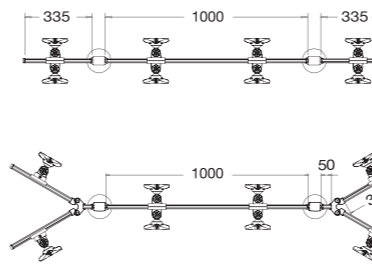
- EGTB-4514D-1
- EGTB-4514DG-1



Post height: 450mm
Rail size: 1000 & 335mm

- EGTB-4514DW-1
- EGTB-4514DWG-1

Double Decks / Sixteen Monitors Application



Post height: 800mm
Rail size: 1000 & 335mm

- EGTB-8028D-1
- EGTB-8028DG-1



Post height: 800mm
Rail size: 1000 & 335mm

- EGTB-8028DW-1
- EGTB-8028DWG-1



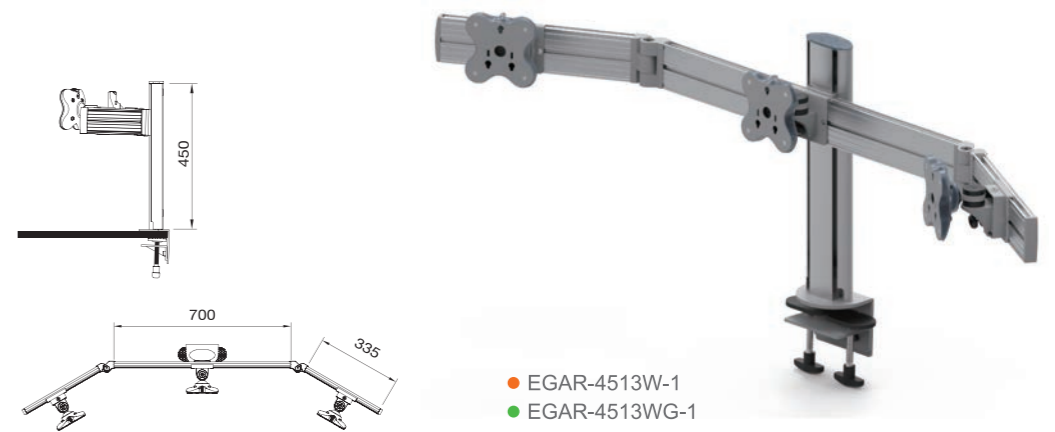


Ergonomic & Effective Life

Rail System (EGAR)

Single Deck / Three Monitors Application

Post height: 450mm Rail size: 700 & 335mm Swivel Arm



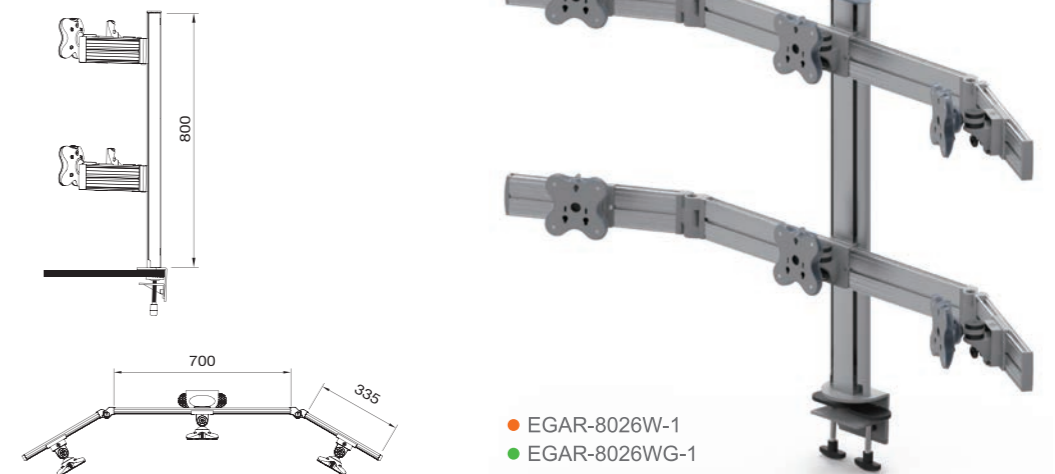
Single Deck / Four Monitors Application

Post height: 450mm Rail size: 1000 & 335mm Swivel Arm

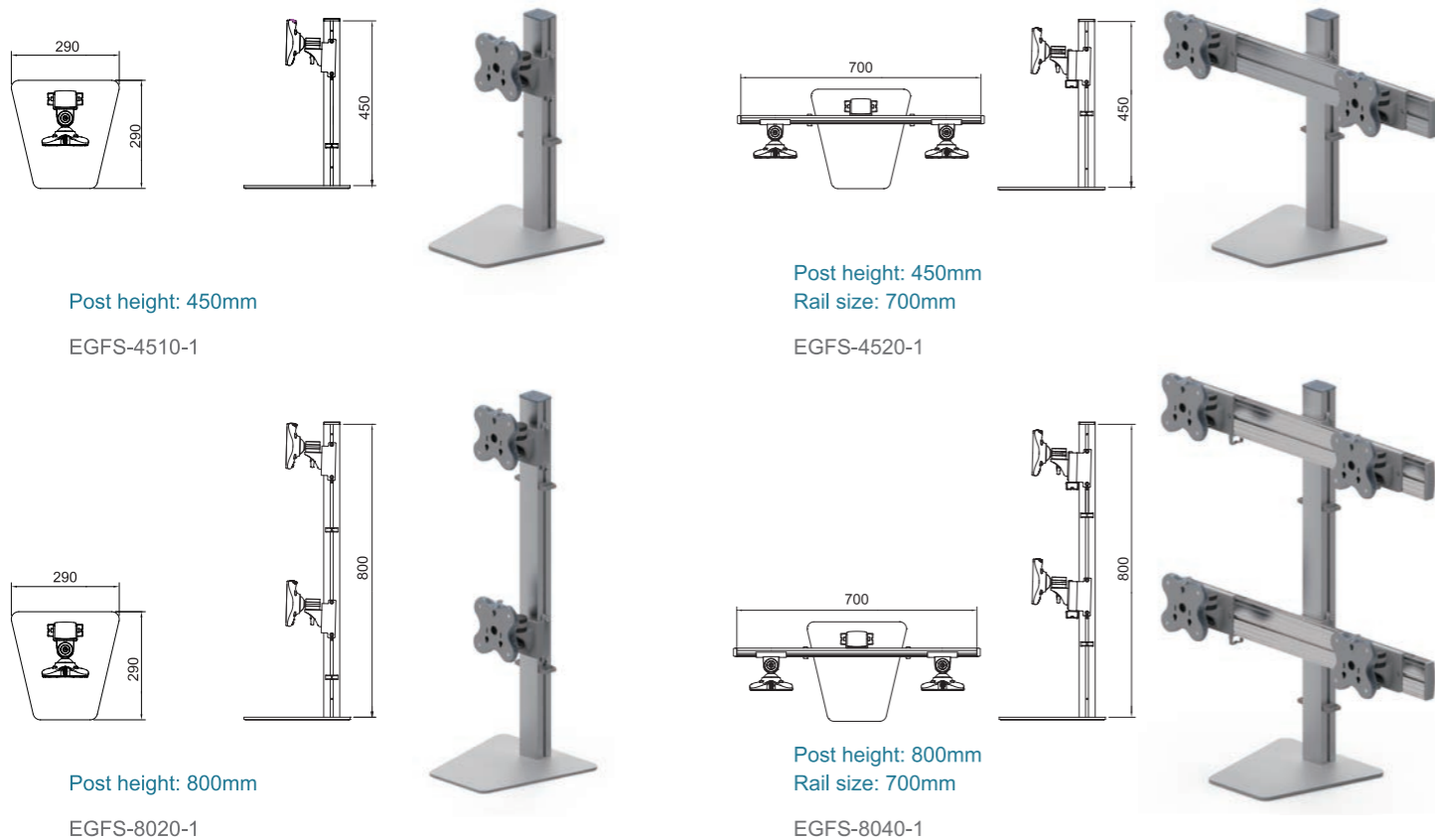




Double Decks / Six Monitors Application

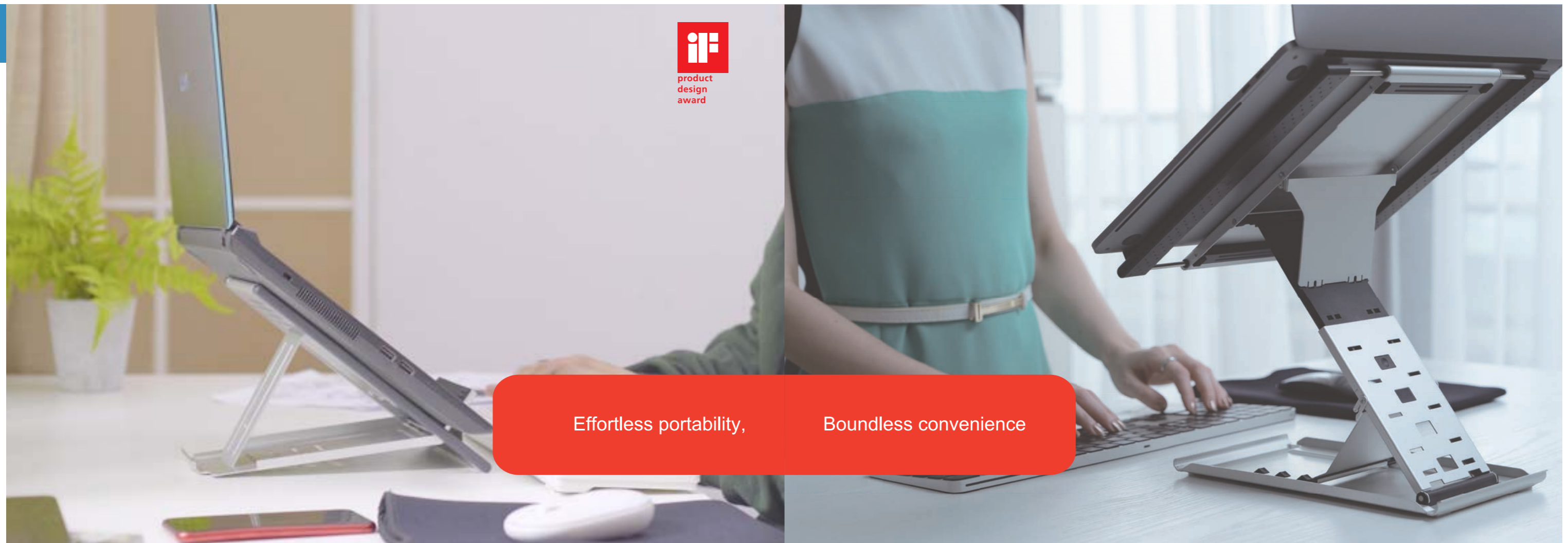
Post height: 800mm Rail size: 700 & 335mm Swivel Arm Monitor Weight: 8kgs



Rail Stand (EGFS)



-  Clamp Mount Type
-  Grommet Mount Type

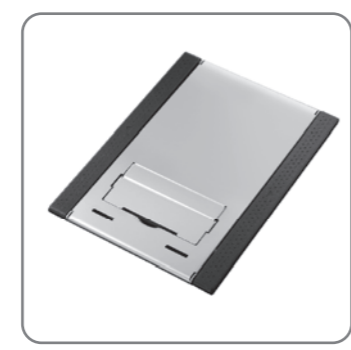


Effortless portability,

Boundless convenience

Laptop / Tablet Stand EGNB-100

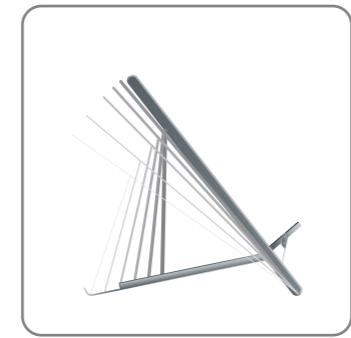
Rooted in ergonomic principles, the design considers users' posture concerns through 6 visual height adjustment options. This increased adjustability not only improves heat dissipation but also provides a sense of smooth portability to the design.



Aluminum material, slim design, foldable and portable.



Height and width adjustable.



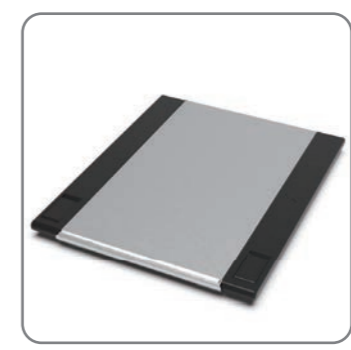
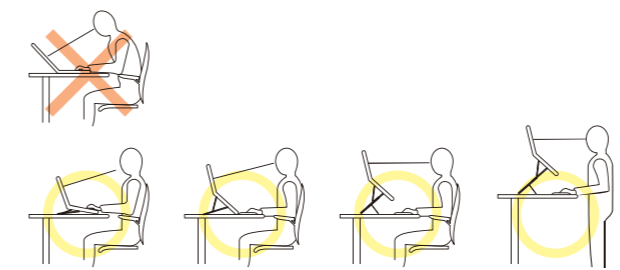
Displays laptop at 6 different tilt positions for viewing comfort.



Neoprene material bag as a mouse pad.

Laptop / Tablet Stand 2.0 EGNB-200

EGNB-200 Laptop Stand 2.0 is an upgraded version of laptop stand that highly raises or angles your laptop to meet comfortable eye levels for an improved view, and reduce neck pains or headaches that can help you maintain much better posture. This is fully portable and a great option that you are using a designated home office or workstation between switching office works and conference calls.



Aluminum material, slim design, foldable and portable.



Adjustable multi-angle options to fulfill different requirements.



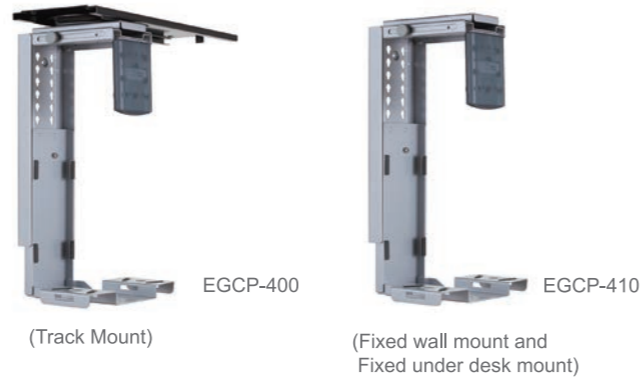
Solid structure design keeps laptop stable and secure.



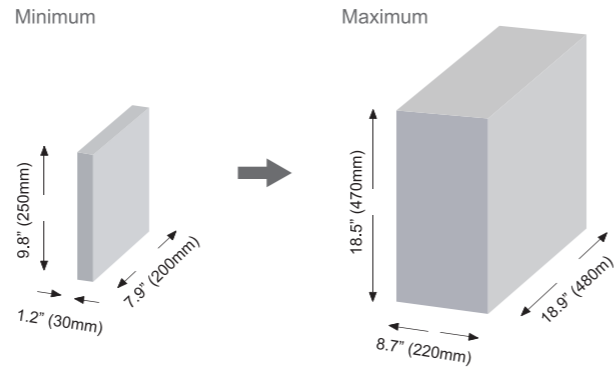
Neoprene material bag as a mouse pad.

Slim CPU Holder (EGCP)

Mounting Options:



Volume Range

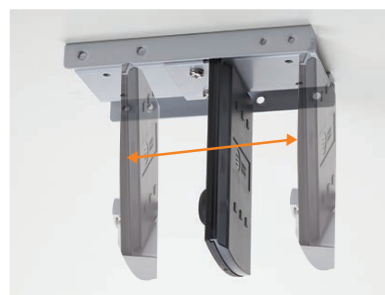


- Stylish, modular design accommodates various CPU sizes
- Height range adjusts in 3/4" (2 cm) increments
- CPU stores below work surface to protect against dust and save workspace
- Easy access to rear of CPU and under-desk storage
- Anti-Theft lock kit option available
- Sturdy steel construction
- Multiple mounting options include fixed mount, and track mount
- 12kgs (26lbs) loading max



Anti-theft kit (EGCP-401)

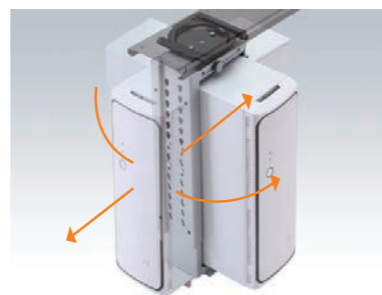
Anti-theft kit (EGCP-401)



3 side support locations accommodate CPU sizes



2 bottom plate locations accommodate CPU sizes



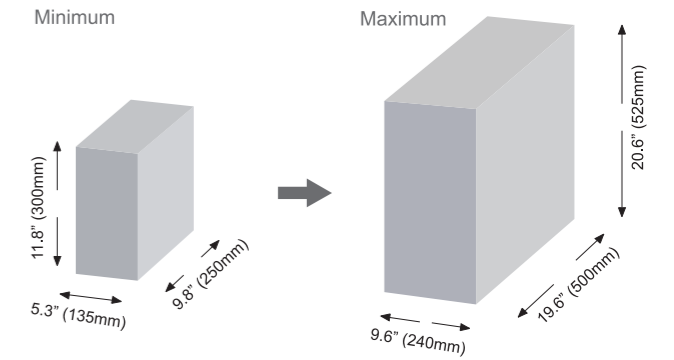
360° swivel easy access to back CPU

CPU Holder (EGCP)

Mounting Options:



Volume Range

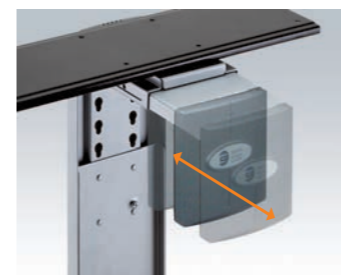


- 40cm (16") track length provides CPU in/out adjustment
- 360° swivel for easy access to cable management
- Easy height and width adjustment to hold most CPU sizes
- CPU stores below work surface to protect against dust and save workspace
- Easy access to rear of CPU and under-desk storage
- Anti-Theft lock kit option available
- Sturdy steel construction
- 25kgs (55lbs) loading max

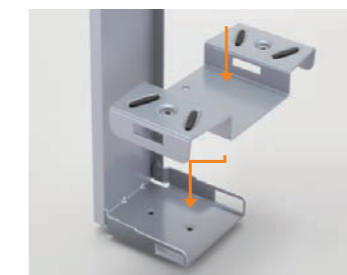


Anti-theft kit (EGCP-401)

Anti-theft kit (EGCP-401)



Accommodates the various CPU sizes

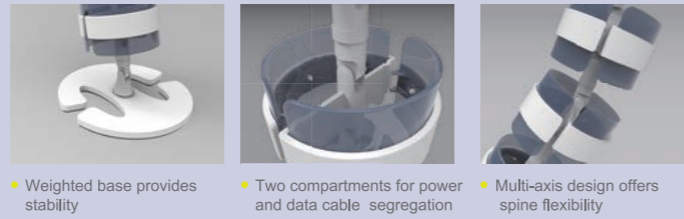


2 bottom plate locations accommodate CPU sizes



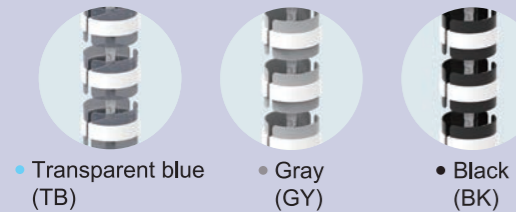
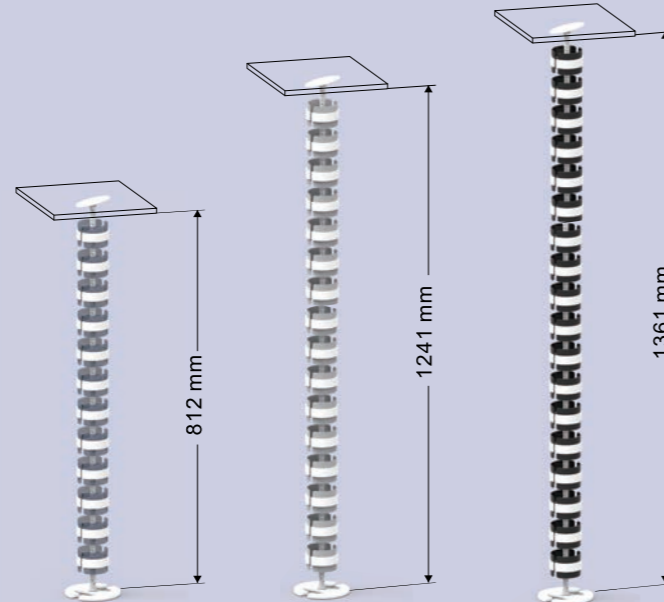
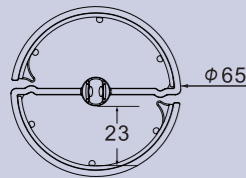
360° swivel easy access to back CPU

Vertical Cable Duct (EGW)



- Weighted base provides stability
- Two compartments for power and data cable segregation
- Multi-axis design offers spine flexibility

- Multi-axis spine structure is suitable for height adjustable table
- Available in multiple lengths
- Duo-color feature exposes attractive and vivid workplace



- EGW-512V-TB
- EGW-512V-GY
- EGW-512V-BK
- EGW-519V-GY
- EGW-519V-BK
- EGW-519V-TB
- EGW-521V-BK
- EGW-521V-TB
- EGW-521V-GY

Keyboard Tray (EGK)



EGK-7 Series Knob to adjust the height



EGK-700

- Friction track / 45cm (17.75 inches) length
- Standard type / 2.25 inches length arm
- Sliding and 360° rear swivel
- Single knob sets both height & tilt of keyboard tray
- 5.75 inches of height adjustment, ±15 degree of tilt adjustment
- MDF keyboard tray + tear drop MDF mouse tray
- Gel Palm rest
- Steel frame coated black
- Meet ANSI/BIFMA x 5.5 standard



EGK-721

- Friction track / 45cm (17.75 inches) length
- Standard type / 2.25 inches length arm
- Sliding and 360° rear swivel
- Single knob sets both height & tilt of keyboard tray
- 5.75 inches of height adjustment, ±15 degree of tilt adjustment
- MDF keyboard and metal mouse tray set
- Wrist rest has black leatherretted covering over a soft PU interior
- Steel frame coated black
- Meet ANSI/BIFMA x 5.5 standard



EGK-733

- Friction track / 45cm (17.75 inches) length
- Standard type / 2.25 inches length arm
- Sliding and 360° rear swivel
- Single knob sets both height & tilt of keyboard tray
- 5.75 inches of height adjustment, ±15 degree of tilt adjustment
- MDF for keyboard tray and mouse/keyboard tray size 28"x11"
- Wrist rest has black leatherretted covering over a soft PU interior
- Steel frame coated black
- Meet ANSI/BIFMA x 5.5 standard

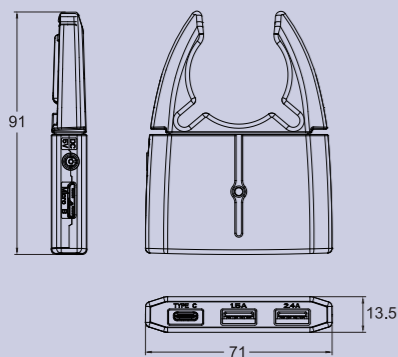
Flycharger / USB HUB (EGUB)

The Flycharger USB HUB combines advanced industry design with seamless functionality. This solution provides rapid high-speed charging, effortless data transmission, and extensive user-friendly compatibility.

As a universal clipper, it effortlessly enhances Eastern Global's original monitor arms and other screen holder brands. Its compact design saves space and facilitates a simple configuration, resulting in a neat workspace that improves overall efficiency.



EGUB-100B



- Applicable equipment: Windows 7 / 8 / 8.1 / 10 / 11 .Mac OS 10.10 to 10.13
- Voltage : DC 12V.2A
- 1 port USB3.1 1.5A x1 and 1 port Gen 1A 2.4A x1 and 1 port Type-C 0.9A x1
- Operation temperature: 0°C to 40°C
- Operation Humidity : 10% -90% non-condensing
- Storage temperature : -20°C to 70°C
- Mercury free and RoHS compliant
- Certification : CE .FCC and BSMI

EGK-8 Series Non-knob mechanism



EGK-800

- Friction track / 53.5 cm (21 inches) length
- Standard type / 5.5 inches length arm
- Sliding and 360° rear swivel
- No knob, lever or ratchet handle required to set keyboard tray height, knob used only to adjust keyboard tilt angle
- 14.6 cm of height adjustment, ±15 degree of tilt adjustment
- MDF keyboard tray + tear drop MDF mouse tray
- Gel Palm rest
- Steel frame coated black
- Meet ANSI/BIFMA x 5.5 standard



EGK-821

- Friction track / 53.5 cm (21 inches) length
- Standard type / 5.5 inches length arm
- Sliding and 360° rear swivel
- No knob, lever or ratchet handle required to set keyboard tray height, knob used only to adjust keyboard tilt angle
- 14.6 cm of height adjustment, ±15 degree of tilt adjustment
- MDF keyboard and metal mouse tray set
- Wrist rest has black leatherretted covering over a soft PU interior
- Steel frame coated black
- Meet ANSI/BIFMA x 5.5 standard



EGK-833

- Friction track / 53.5 cm (21 inches) length
- Standard type / 5.5 inches length arm
- Sliding and 360° rear swivel
- No knob, lever or ratchet handle required to set keyboard tray height, knob used only to adjust keyboard tilt angle
- 14.6 cm of height adjustment, ±15 degree of tilt adjustment
- MDF for keyboard tray and mouse/keyboard tray size 28"x11"
- Wrist rest has black leatherretted covering over a soft PU interior
- Steel frame coated black
- Meet ANSI/BIFMA x 5.5 standard



Eastern Global Corporation

9F., No.659, Bannan Rd., Zhonghe Dist., New Taipei City 235, Taiwan

Tel : +886-2-2226-2887

Fax : +886-2-2226-2862

E-mail : sunda@eg.com.tw

<http://www.eg.com.tw>

www.easternglobal.com.tw

ISO 9001:2015(CNS12681:2016)

Date of issue:31 Aug 2023

All pictures shown in the catalogue are for illustration purpose only. If there is any discrepancy between the catalogue and the actual product, please refer to the actual product as a standard. Eastern Global Corporation reserves the right to change the materials, specifications, colors and design of products for the purpose of improvement without further notices.

